

RoHS Compliant	
G	24-MAY-16
F	07-SEP-11
E	25-NOV-09
D	23-NOV-07
C	14-DEC-06
B	30-MAR-04
A	02-JAN-01
REV	DATE

TPK	AK
PACKAGING	GG
STANDARD	JP
MODIFICATIONS	EC
DRAW	EC
LEAD FREE	JP
PDF	JP
FILE	BY

PROJECTION:	
APPROVAL: GMo	

GENERAL TOLERANCE
.X = +/- 0.2
.XX = +/- 0.15
UNIT: MM
SCALE:
SHEET: 1/3
DRAW: PEARL

	DESCRIPTION: 2.00MM SOCKET HEADER
	WERI PART NO: 620 0xx 118 21

SIZE
A4

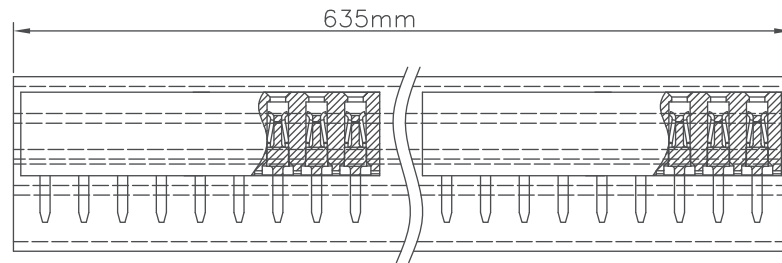
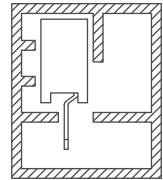
1

2

3

4

5



Note:

1.Dimension

Tube Size:635(L) (mm)

Inner Carton Size:650(L)X140(W)X125(H) (mm)

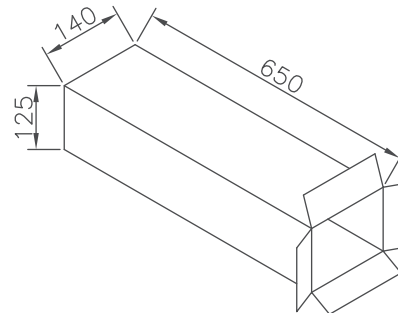
Carton Size:660(L)X270(W)X300(H) (mm)

2.Quantity:

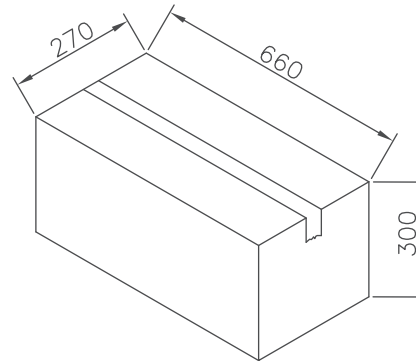
XX Pcs/Tube

180 Tube/Inner Carton

4 Inner Carton1/Carton2



CARTON 1



CARTON 2

CIRCUTS	Pcs/Tube	Tube/Carton1	Pcs/Carton1	Pcs/Carton2
02	136	180	24480	97920
03	94	180	16920	67680
04	72	180	12960	51840
05	58	180	10440	41760
06	49	180	8820	35280
07	42	180	7560	30240
08	37	180	6660	26640
09	33	180	5940	23760
10	30	180	5400	21600
11	27	180	4860	19440
12	25	180	4500	18000
13	23	180	4140	16560
14	21	180	3780	15120
15	20	180	3600	14400
16	19	180	3420	13680
17	17	180	3060	12240
18	16	180	2880	11520
19-20	15	180	2700	10800
21	14	180	2520	10080
22-23	13	180	2340	9360
24-25	12	180	2160	8640
26-27	11	180	1980	7920
28-30	10	180	1800	7200
31-33	9	180	1620	6480
34-38	8	180	1440	5760
39-40	7	180	1260	5040

RoHS Compliant

PROJECTION:



GENERAL TOLERANCE

.X = +/- 0.2

.XX = +/- 0.15



APPROVAL: GMo

UNIT: MM

DESCRIPTION: 2.00MM SOCKET HEADER

SIZE

SCALE:

WERI PART NO: 620 0xx 118 21

A4

SHEET: 2/3

DRAW: AK

REV	DATE	FILE	BY
G			
F			
E			
D			
C			
B			
A			

1

2

3

4

5

Cautions and Warnings:

This electronic component is designed and developed with the intention for use in general electronics equipments.

Before incorporating the components into any equipments in the field such as aerospace, aviation, nuclear control, submarine, transportation, (automotive control, train control, ship control), transportation signal, disaster prevention, medical, public information network etc. where higher safety and reliability are especially required or if there is possibility of direct damage or injury to human body, Würth Elektronik must be asked for a written approval.

In addition, even electronic component in general electronic equipments, when used in electrical circuits that require high safety, reliability functions or performance, the sufficient reliability evaluation-check for the safety must be performed before by the user before usage.

A

B

C

RoHS Compliant

G				PROJECTION: 	GENERAL TOLERANCE .X = +/- 0.2 .XX = +/- 0.15		
F							
E							
D							
C				APPROVAL: JC	UNIT: MM	DESCRIPTION: DISCLAIMER	SIZE A4
B					SCALE:		
A	10-SEP-14	PDF	QL		SHEET: 3/3	WERI PART NO: DISCLAIMER	
REV	DATE	FILE	BY		DRAW: QL		

D