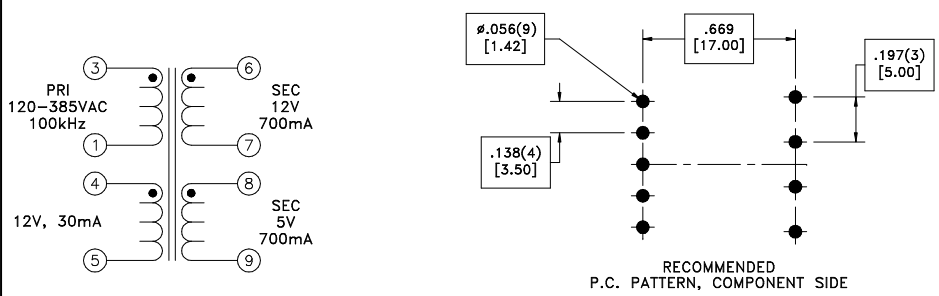
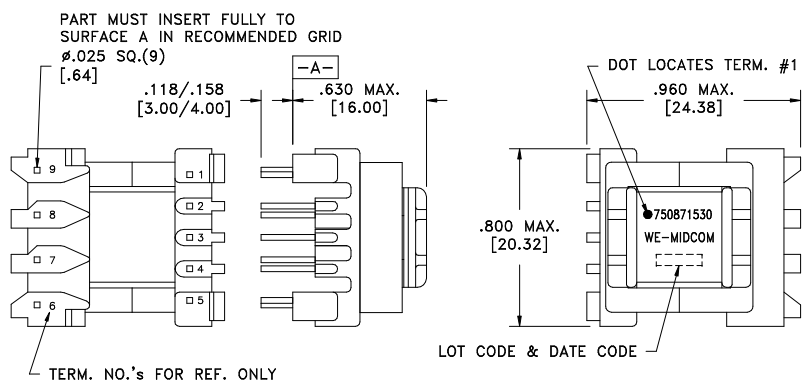


CUSTOMER TERMINAL	RoHS	LEAD(Pb)-FREE
Sn96%, Ag4%	Yes	Yes



ELECTRICAL SPECIFICATIONS @ 25°C unless otherwise noted:

PARAMETER	TEST CONDITIONS	VALUE
D.C. RESISTANCE	1-3 @20°C	3.25 ohms max.
D.C. RESISTANCE	5-4 @20°C	0.5 ohms max.
D.C. RESISTANCE	6-7 @20°C	0.12 ohms max.
D.C. RESISTANCE	8-9 @20°C	0.065 ohms max.
INDUCTANCE	1-3 10kHz, 100mVAC, Ls	1.6mH ±10%
LEAKAGE INDUCTANCE	1-3 tie(3+4, 5+6, 7+8), 10kHz, 100mVAC, Ls	60.0uH max.
DIELECTRIC	1-6 tie(3+4, 7+8), 4800VAC, 1 second	4000VAC, 1 minute
DIELECTRIC	1-4 1800VAC, 1 second	1500VAC, 1 minute
URNS RATIO	(3-1):(4-5)	8.266:1, ±1%
URNS RATIO	(3-1):(6-7)	8.266:1, ±1%
URNS RATIO	(3-1):(8-9)	17.714:1, ±1%



REV.	DATE
6A	2/10

Packaging Specifications
 Method: Tray
 PKG-0735
 www.midcom-inc.com

Tolerances unless otherwise specified:
 Angles: ±1° Decimals: ±.005 [.13]
 Fractions: ±1/64 Footprint: ±.001 [.03]
 This drawing is dual dimensioned. Dimensions in brackets are in millimeters.

DRAWING TITLE
TRANSFORMER
 eiSos p/n: 750871530

Midcom WE
 www.midcom-inc.com

DRAWING NO.
750871530
 REVISIONS: SEE SHEET 1 SCALE --- SHEET 2 OF 5