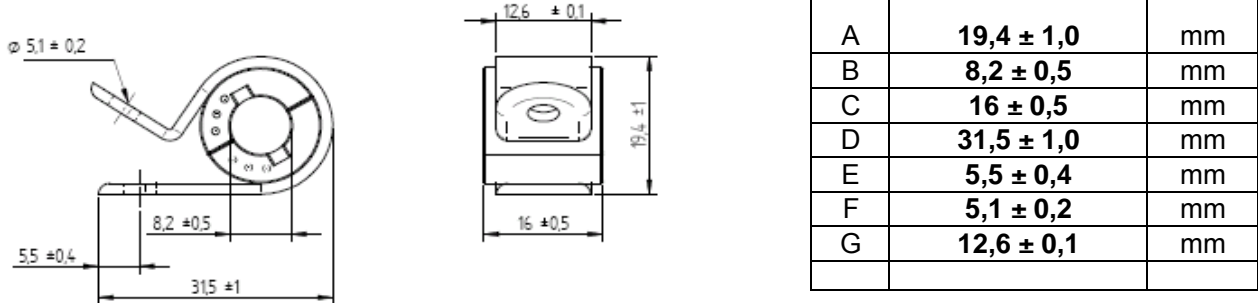


# Spezifikation für Freigabe / specification for release

Kunde / customer : \_\_\_\_\_  
 Artikelnummer / part number : **7427131**  
 Bezeichnung : **FERRITRING MIT NYLONHALTER**  
 description : **SPLIT FERRITE WITH NYLON CLAMP**



## A Mechanische Abmessungen / dimensions:



## B Elektrische Eigenschaften / electrical properties:

Eigenschaften / properties	Testbedingungen / test conditions		Wert / value	Einheit / unit	Tol.
Impedanz @ 1 Wg./ impedance @ 1 turn	<b>25 MHz</b>	Z	<b>64</b>	Ω	± 25%
Impedanz @ 1 Wg./ impedance @ 1 turn	<b>100 MHz</b>	Z	<b>106</b>	Ω	± 25%
Impedanz @ 2 Wg./ impedance @ 2 turn	<b>25 MHz</b>	Z	<b>291</b>	Ω	± 25%
Impedanz @ 2 Wg./ impedance @ 2 turn	<b>100 MHz</b>	Z	<b>504</b>	Ω	± 25%

## C



## D Prüfgeräte / test equipment:

**HP 4191 B** für/for Z und/and material  
**16092A** - Klemme / clamp  
**AWG26** - Ø 0,5mm - Länge/length: 165 mm

## E Testbedingungen / test conditions:

Luffeuchtigkeit / humidity: 33%  
 Umgebungstemperatur / temperature: + 20°C

## F Werkstoffe & Zulassungen / material & approvals:

Basismaterial / base material: 4 W 620  
 Kunststoff / plastic material: PA 6.6  
 UL-Zulassungen / UL-approval: UL94-V2  
 UL file no: E140736(M)  
 Klebeband / adhesive tape: VHB SH4630

## G Eigenschaften / general specifications:

Curietemperatur / curie temperature: + 150°C  
 Kabeldurchmesser / cable diameter [mm]: ≤ 7,8  
 Lagertemperatur / storage temperature: -40°C ~ + 85°C  
 Betriebstemp. / operating temperature: -25°C ~ +105°C

Freigabe erteilt / general release:	<b>Kunde / customer</b>			
	Datum / date	Unterschrift / signature	<b>Würth Elektronik</b>	
Geprüft / checked	Kontrolliert / approved	SMU	Version 5	07-11-07
		KSC	Version 4	07-01-30
		LF	RoHS update	04-10-11
		LF	Clip	03-08-14
		JH	Neugestaltung	00-12-06
		Name	Änderung / modification	Datum / date

**Würth Elektronik eiSos GmbH & Co. KG**

D-74638 Waldenburg · Max-Eyth-Strasse 1 - 3 · Germany · Telefon (+49) (0) 7942 - 945 - 0 · Telefax (+49) (0) 7942 - 945 - 400  
<http://www.we-online.com>

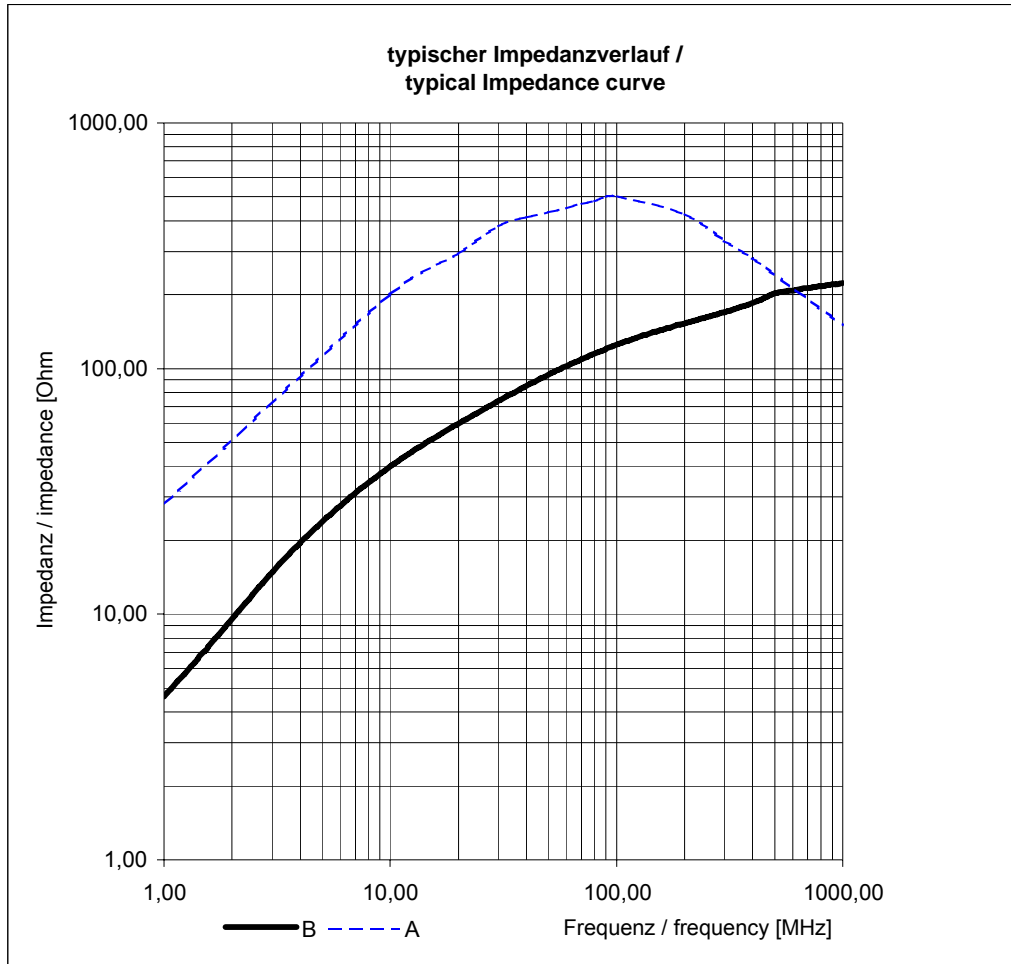
# Spezifikation für Freigabe / specification for release

Kunde / customer : \_\_\_\_\_  
 Artikelnummer / part number : **7427131**  
 Bezeichnung : **FERRITRING MIT NYLONHALTER**  
 description : **SPLIT FERRITE WITH NYLON CLAMP**



**WÜRTH ELEKTRONIK**  
 DATUM / DATE : 2007-11-07

## H Impedanzverlauf / impedance curve:



**A: 2 x durch Bohrung Ferrit / 2 x times through ferrite**  
**B: 1 x durch Bohrung Ferrit / 1 x times trough ferrite**

Freigabe erteilt / general release:	<b>Kunde / customer</b>			
Datum / date	Unterschrift / signature	SMU	Version 5	07-11-07
Geprüft / checked	Kontrolliert / approved	KSC	Version 4	07-01-30
	<b>Würth Elektronik</b>	LF	RoHS update	04-10-11
		LF	Clip	03-08-14
		JH	Neugestaltung	00-12-06
		Name	Änderung / modification	Datum / date

This electronic component has been designed and developed for usage in general electronic equipment. Before incorporating this component into any equipment where higher safety and reliability is especially required or if there is the possibility of direct damage or injury to human body, for example in the range of aerospace, aviation, nuclear control, submarine, transportation, (automotive control, train control, ship control), transportation signal, disaster prevention, medical, public information network etc, Würth Elektronik eiSos GmbH must be informed before the design-in stage. In addition, sufficient reliability evaluation checks for safety must be performed on every electronic component which is used in electrical circuits that require high safety and reliability functions or performance.

**Würth Elektronik eiSos GmbH & Co. KG**

D-74638 Waldenburg · Max-Eyth-Strasse 1 - 3 · Germany · Telefon (+49) (0) 7942 - 945 - 0 · Telefax (+49) (0) 7942 - 945 - 400  
<http://www.we-online.com>