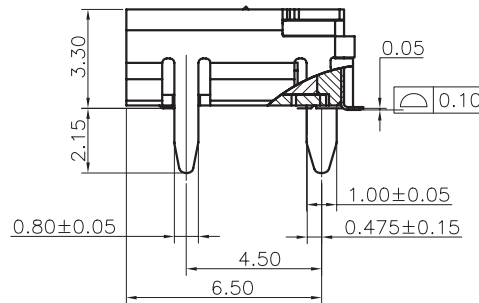
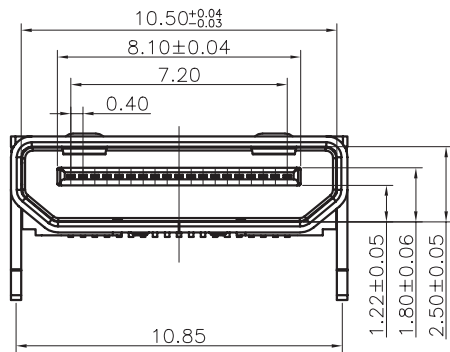


PCB LAYOUT - COMPONENT VIEW  
TOLERANCE: ±0.05mm



TECHNICAL CHARACTERISTICS

MATERIAL  
INSULATOR MATERIAL: LCP  
FLAMMABILITY RATING UL94-V0  
COLOUR: BLACK  
CONTACT MATERIAL: PHOSPHORE BRONZE  
CONTACT TYPE: STAMPED  
CONTACT PLATING: SELECTIVE GOLD  
SHIELDING: BRASS TIN PLATED  
QUALITY CLASS: 3 AS PER CECC 75 301-802

ENVIRONMENTAL  
OPERATING TEMPERATURE: -25 °C UP TO 85 °C  
COMPLIANCE: LEAD FREE AND ROHS

ELECTRICAL  
CURRENT RATING: 0.5 A  
WORKING VOLTAGE: 40 V  
INSULATION RESISTANCE: >100 mOHM  
DIELECTRIC WITHSTANDING VOLTAGE: 500 VAC/MN  
CONTACT RESISTANCE: 30 mOHM MAX

STANDARD  
CERTIFIED: E323964 / MODEL NUMBER 685119136923

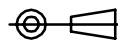
SOLDERING  
REFLOW PROCESS ONLY

PACKAGING  
TAPE & REEL

RoHS Compliant

G			
F			
E			
D	14-JUN-10	PACKAGING	JP
C	19-NOV-09	STANDARD	JP
B	05-DEC-07	MODIFICATIONS	EC
A	20-NOV-07	PDF	EC
REV	DATE	FILE	BY

PROJECTION:



GENERAL TOLERANCE

.X = +/- 0.2  
.XX = +/- 0.15



APPROVAL: RJ

UNIT: MM

SCALE:

SHEET: 1/2

DRAW:

DESCRIPTION: ANGLED SMT MINI HDMI

WERI PART NO: 685 119 136 923

SIZE

**A4**

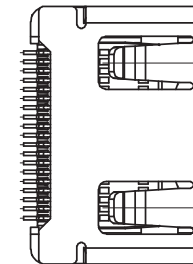
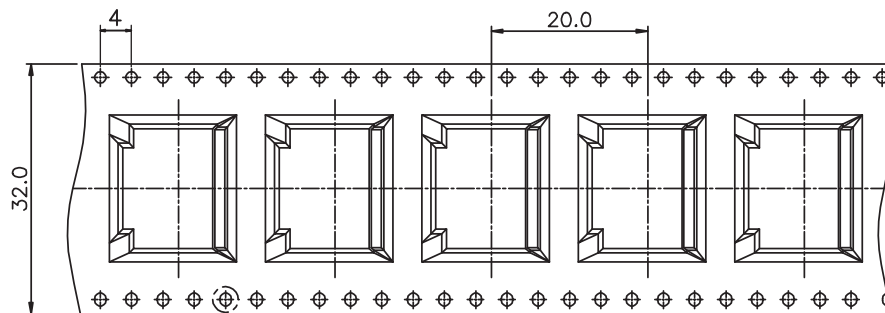
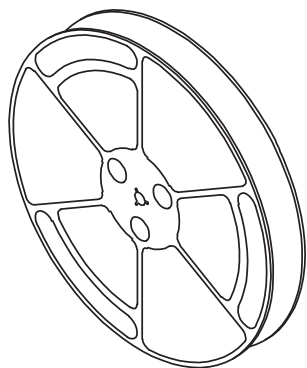
1

2

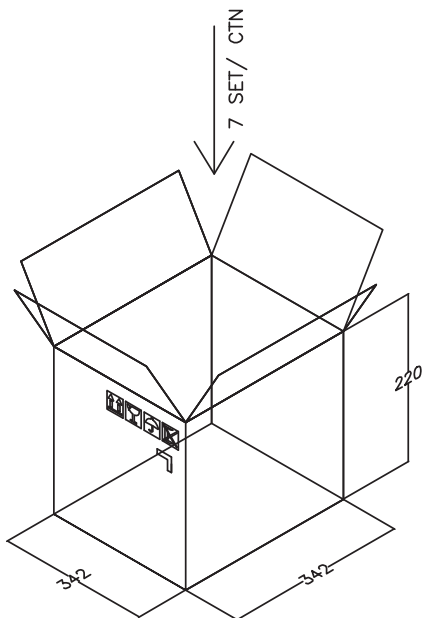
3

4

5



← 650 PCS/ TAPE REEL



NOTE:  
 1.PACK: 650PCS/TAPE REEL 4550PCS/CTN.  
 2.CARTON SIZE : 342\*342\*220mm.

RoHS Compliant			
G			
F			
E			
D			
C			
B			
A			
REV	DATE	FILE	BY

PROJECTION:

GENERAL TOLERANCE  
 .X = +/- 0.2  
 .XX = +/- 0.15



APPROVAL: RJ

UNIT: MM  
 SCALE:  
 SHEET: 2/2  
 DRAW:

DESCRIPTION: ANGLED SMT MINI HDMI  
 WERI PART NO: 685 119 136 923

SIZE  
**A4**

A

B

C

D