

TECHNICAL CHARACTERISTICS

MATERIAL  
 INSULATOR: PBT  
 FLAMMABILITY RATING: UL94-V0  
 COLOR: WHITE  
 CONTACT MATERIAL: COPPER ALLOY  
 CONTACT TYPE: STAMPED  
 CONTACT PLATING: SELECTIVE GOLD  
 SHIELDING: BRASS NI PLATED  
 QUALITY CLASS: 1500 MATING CYCLES

ENVIRONMENTAL  
 OPERATING TEMPERATURE: -40 °C UP TO +105 °C  
 COMPLIANCE: LEAD FREE AND ROHS

ELECTRICAL  
 CURRENT RATING: 1.5 A MAX  
 WORKING VOLTAGE: 30 VAC  
 INSULATION RESISTANCE: >1000 MΩ  
 DIELECTRIC WITHSTANDING VOLTAGE: 750 VAC/MIN  
 CONTACT RESISTANCE: 20 mΩ MAX

STANDARD  
 CERTIFIED: E323964


SOLDERING  
 JEDEC LEAD FREE WAVE SOLDERING PROCESS

PACKAGING  
 TRAY

RoHS Compliant

|     |           |           |    |
|-----|-----------|-----------|----|
|     |           |           |    |
|     |           |           |    |
|     |           |           |    |
|     |           |           |    |
| O   | 06-JUL-17 | TOLERANCE | AK |
| REV | DATE      | FILE      | BY |

PROJECTION:



GENERAL TOLERANCE  
 .X = +/- 0.2  
 .XX = +/- 0.15

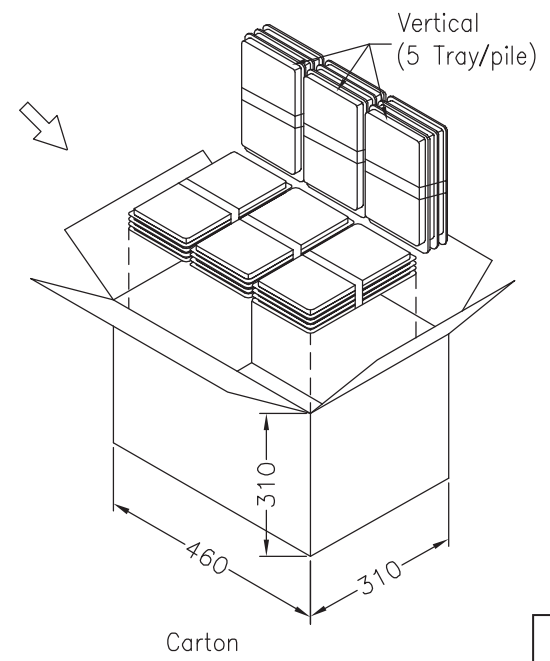
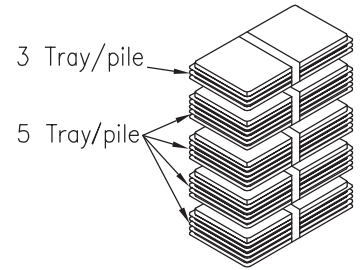
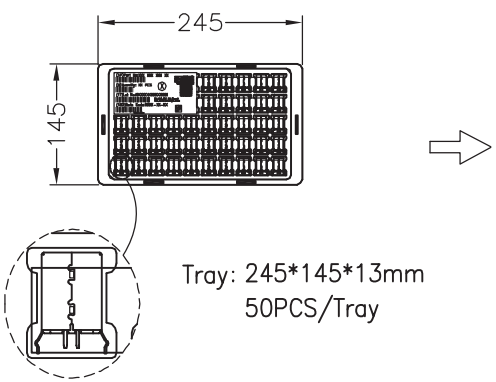


APPROVAL: NPr

UNIT: MM  
 SCALE:  
 SHEET: 1/3  
 DRAW: QL

DESCRIPTION: USB 2.0 TYPE B VERTICAL  
 WERI PART NO: 614 004 133 21

SIZE  
**A4**



50 pcs/tray  
84 trays/carton  
4200 pcs/carton

|                |      |      |    |                 |   |                              |                                      |                   |
|----------------|------|------|----|-----------------|---|------------------------------|--------------------------------------|-------------------|
| RoHS Compliant |      |      |    | PROJECTION:<br> | GENERAL TOLERANCE<br>.X = +/- 0.2<br>.XX = +/- 0.15 |                              | DESCRIPTION: USB 2.0 TYPE B VERTICAL | SIZE<br><b>A4</b> |
| G              |      |      |    |                 |   |                              |                                      |                   |
| F              |      |      |    |                 |   |                              |                                      |                   |
| E              |      |      |    |                 |   |                              |                                      |                   |
| D              |      |      |    | APPROVAL: NPr   | UNIT: MM  | WERI PART NO: 614 004 133 21 |                                      |                   |
| C              |      |      |    |                 | SCALE:  |                              |                                      |                   |
| B              |      |      |    |                 | SHEET: 2/3  |                              |                                      |                   |
| A              |      |      |    | DRAW: AK        |   |                              |                                      |                   |
| REV            | DATE | FILE | BY |                 |   |                              |                                      |                   |

A  
B  
C  
D

1

2

3

4

5

## Cautions and Warnings:

This electronic component is designed and developed with the intention for use in general electronics equipments.

Before incorporating the components into any equipments in the field such as aerospace, aviation, nuclear control, submarine, transportation, (automotive control, train control, ship control), transportation signal, disaster prevention, medical, public information network etc. where higher safety and reliability are especially required or if there is possibility of direct damage or injury to human body, Würth Elektronik must be asked for a written approval.

In addition, even electronic component in general electronic equipments, when used in electrical circuits that require high safety, reliability functions or performance, the sufficient reliability evaluation-check for the safety must be performed before by the user before usage.

A

B

C

RoHS Compliant

|     |           |      |    |  |   |   |                   |
|-----|-----------|------|----|--|---|---|-------------------|
| G   |           |      |    | PROJECTION:<br> | GENERAL TOLERANCE<br>.X = +/- 0.2<br>.XX = +/- 0.15 |  |                   |
| F   |           |      |    |  |   |   |                   |
| E   |           |      |    |  |   |   |                   |
| D   |           |      |    |  |   |   |                   |
| C   |           |      |    | APPROVAL: JC   | UNIT: MM  | DESCRIPTION: DISCLAIMER   | SIZE<br><b>A4</b> |
| B   |           |      |    |  | SCALE:  |   |                   |
| A   | 10-SEP-14 | PDF  | QL |  | SHEET: 3/3  | WERI PART NO: DISCLAIMER  |                   |
| REV | DATE      | FILE | BY |  | DRAW: QL  |   |                   |

D